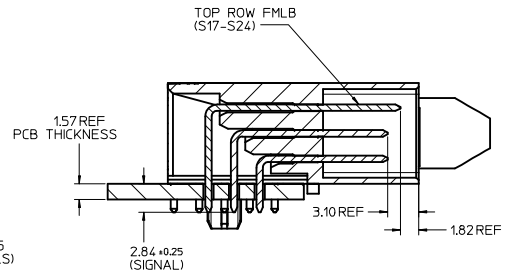
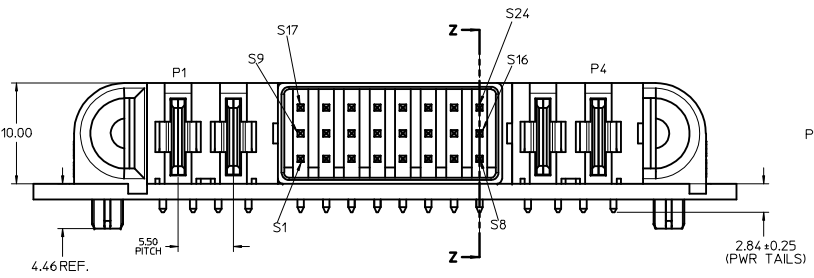
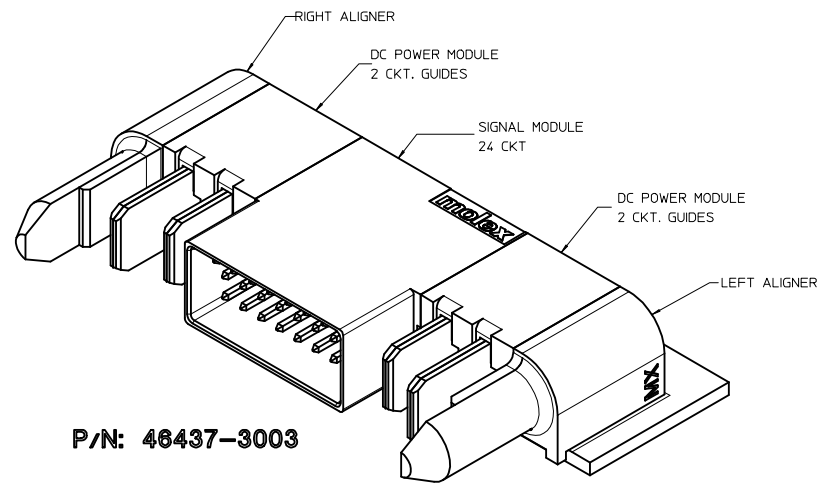
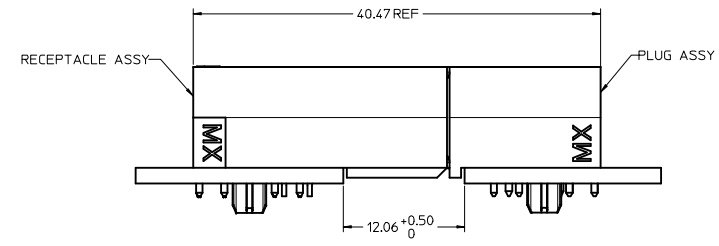


RECOMMENDED PCB LAY-OUT AND KEEP-OUT ZONE



SECTION Z-Z



P/N: 46437-3003

NOTES:

- MATERIAL:
 - HOUSINGS: LCP UL94, V-0, COLOR: BLACK.
 - TERMINALS: COPPER ALLOY.
 - PLATING: 0.00127 NICKEL OVERALL WITH 0.00254 SELECTIVE TIN ON SOLDER TAILS AND 0.000762 SELECTIVE GOLD ON CONTACT AREA.
- ASSEMBLIES PACKED IN TRAYS, SPO: TBD
- PC BOARD REQUIRES SOLDER THRU HOLES, REFER TO PS-46436-100 FOR DETAILS
- PRODUCT SPEC: PS-46436-100.
- APPLICATION SPEC: AS-46436-100.
- PRODUCT TO MEET RoHS REQUIREMENTS.
- ASSEMBLY MATES TO MOLEX RECEPTACLE ASSEMBLY P/N 46436-3003 OR 46562-3003.

RELEASED INITIAL: BEEB000E:25.46 D: 2009/05/05 DRWN: JUILLES CHKD: KJKH APPR: APATEL 2009/05/05	QUALITY SYMBOLS DESCRIPTION	GENERAL TOLERANCES (UNLESS SPECIFIED)		DIMENSION STYLE MM ONLY		SCALE NTS	DESIGN UNITS METRIC	THIRD ANGLE PROJECTION	
		4 PLACES ± 0.25 3 PLACES ± 0.25 2 PLACES ± 0.25 1 PLACE ± 0.25	± 0.25 ± 0.25 ± 0.25 ± 0.25	DRAWN BY KJKH CHECKED BY KJKH APPROVED BY SHONG	DATE 2009/03/11 DATE 2009/03/11 DATE	TITLE RA PLUG ASSY TEN60 POWER G-2P-24S-2P-G	MATERIAL NO. 46437-3003	MOLEX INCORPORATED	SHEET NO. 1 OF 1
		DRAFT WHERE APPLICABLE MUST REMAIN WITHIN DIMENSIONS		SIZE A		THIS DRAWING CONTAINS INFORMATION THAT IS PROPRIETARY TO MOLEX INCORPORATED AND SHOULD NOT BE USED WITHOUT WRITTEN PERMISSION			
						DOCUMENT NO. SD-46437-3003			